

Power Schottky rectifier

Main product characteristics

| | |
|-------------|-----------|
| $I_{F(AV)}$ | 2 x 7.5 A |
| V_{RRM} | 45 V |
| T_j (max) | 175° C |
| V_F (max) | 0.57 V |

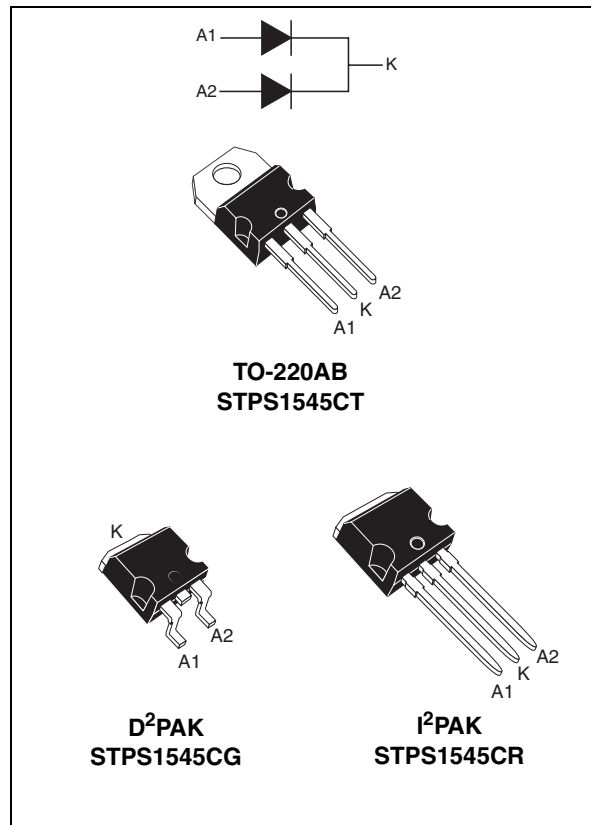
Features and Benefits

- Very small conduction losses
- Negligible switching losses
- Extremely fast switching
- Avalanche capability specified

Description

Dual center tap Schottky rectifier suited for SwitchMode Power Supply and high frequency DC to DC converters.

Packaged either in TO-220AB, D²PAK or I²PAK, this device is especially intended for use in low voltage, high frequency inverters, free wheeling and polarity protection applications.



1 Characteristics

Table 1. Absolute Ratings (limiting values)

| Symbol | Parameter | | | Value | Unit |
|---------------------|---|---|-----------|--------------|------|
| V _{RRM} | Repetitive peak reverse voltage | | | 45 | V |
| I _{F(RMS)} | RMS forward voltage | | | 20 | A |
| I _{F(AV)} | Average forward current δ = 0.5 | T _c = 157° C | Per diode | 7.5 | A |
| I _{FSM} | Surge non repetitive forward current | t _p = 10 ms Sinusoidal | | 150 | A |
| I _{RRM} | Peak repetitive reverse current | t _p = 2 μs square F = 1 kHz | | 1 | A |
| I _{RSM} | Non repetitive peak reverse current | t _p = 100 μs square | | 2 | A |
| P _{ARM} | Repetitive peak avalanche power | t _p = 1 μs T _j = 25°C | | 2700 | W |
| T _{stg} | Storage temperature range | | | -65 to + 175 | °C |
| T _j | Maximum operating junction temperature ⁽¹⁾ | | | 175 | °C |
| dV/dt | Critical rate of rise of reverse voltage | | | 10000 | V/μs |

1. $\frac{dP_{tot}}{dT_j} < \frac{1}{R_{th(j-a)}}$ thermal runaway condition for a diode on its own heatsink

Table 2. Thermal resistances

| Symbol | Parameter | | Value | Unit |
|----------------------|------------------|-----------|-------|------|
| R _{th(j-c)} | Junction to case | Per diode | 3.0 | °C/W |
| | | Total | 1.7 | |
| R _{th(c)} | | Coupling | 0.35 | |

When the diodes 1 and 2 are used simultaneously :

$$\Delta T_j(\text{diode 1}) = P(\text{diode1}) \times R_{th(j-c)}(\text{Per diode}) + P(\text{diode 2}) \times R_{th(c)}$$

Table 3. Static electrical characteristics (per diode)

| Symbol | Parameter | Test Conditions | | Min. | Typ. | Max. | Unit |
|-------------------------------|-------------------------|------------------------|-----------------------------------|------|------|------|------|
| I _R ⁽¹⁾ | Reverse leakage current | T _j = 25°C | V _R = V _{RRM} | | | 100 | μA |
| | | T _j = 125°C | | | 5 | 15 | mA |
| V _F ⁽¹⁾ | Forward voltage drop | T _j = 125°C | I _F = 7.5A | | 0.5 | 0.57 | V |
| | | T _j = 25°C | I _F = 15 A | | | 0.84 | |
| | | T _j = 125°C | I _F = 15 A | | 0.65 | 0.72 | |

1. Pulse test: t_p = 380 μs, δ < 2%

To evaluate the conduction losses use the following equation:

$$P = 0.42 \times I_{F(AV)} + 0.020 I_{F(RMS)}^2$$

Figure 1. Average forward power dissipation versus average forward current (per diode)

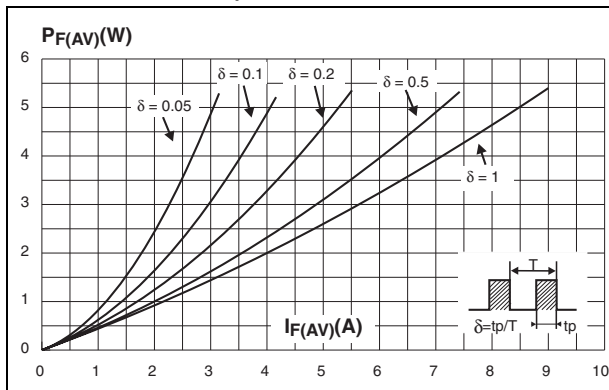


Figure 2. Average forward current versus ambient temperature (delta = 0.5, per diode)

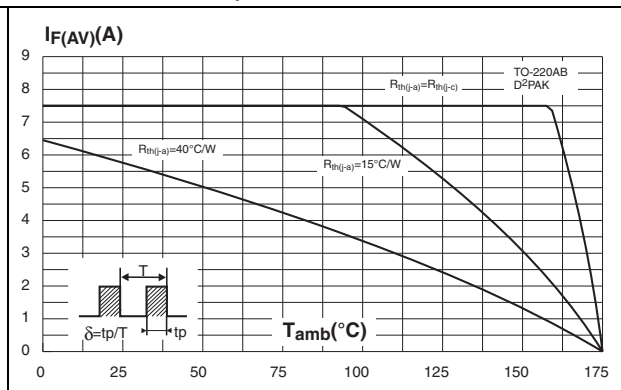


Figure 3. Normalized avalanche power derating versus pulse duration

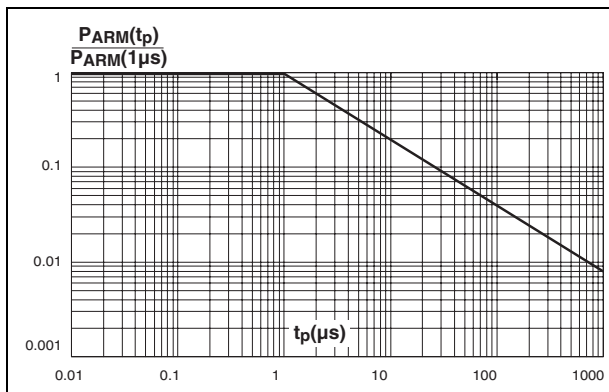


Figure 4. Normalized avalanche power derating versus junction temperature

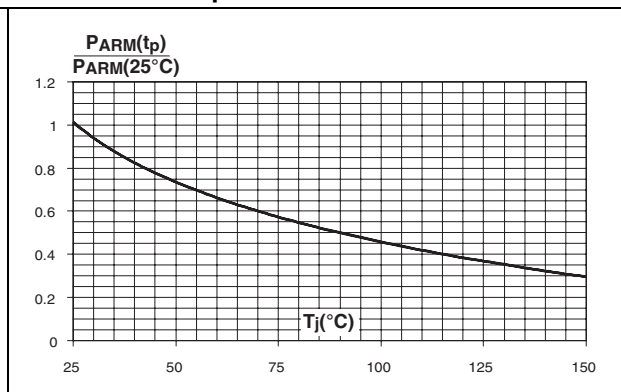


Figure 5. Non repetitive surge peak forward current versus overload duration (maximum values, per diode)

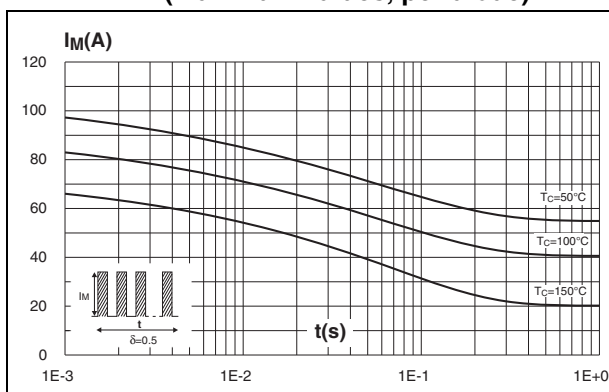


Figure 6. Relative variation of thermal impedance junction to case versus pulse duration

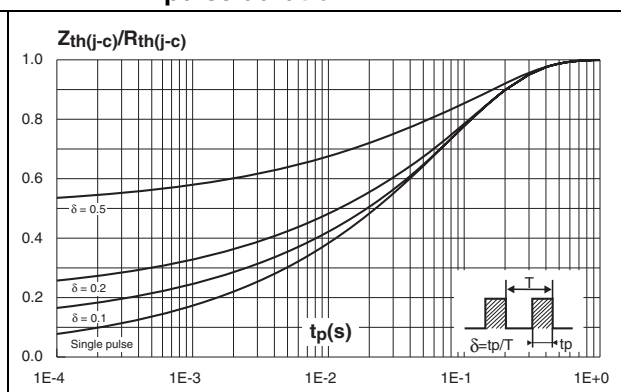


Figure 7. Reverse leakage current versus reverse voltage applied (typical values, per diode)

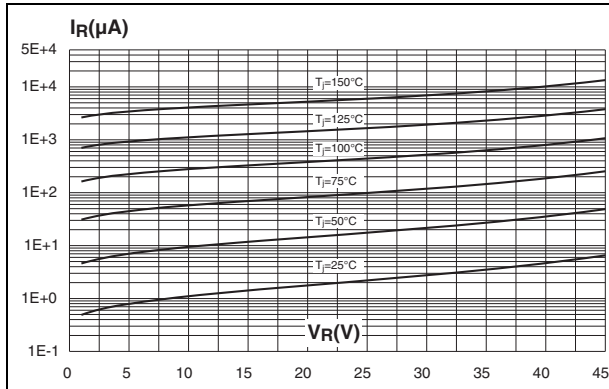


Figure 8. Junction capacitance versus reverse voltage applied (typical values, per diode)

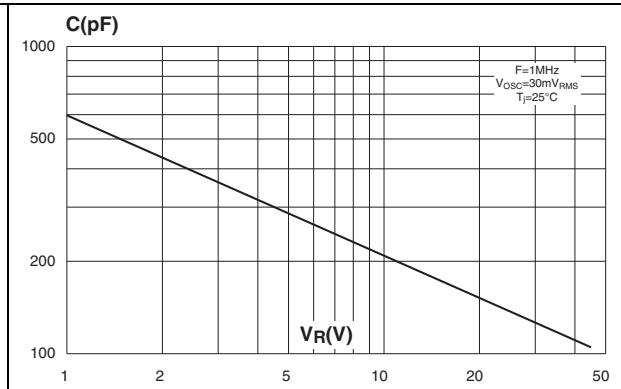


Figure 9. Forward voltage drop versus forward current (maximum values, per diode)

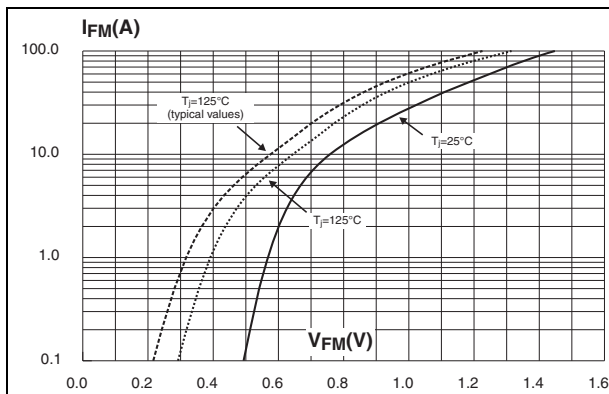
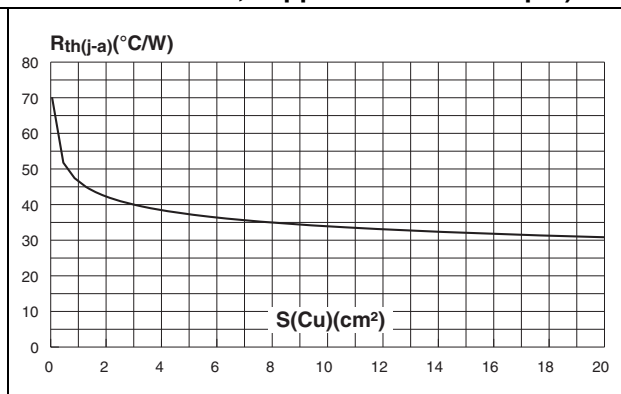


Figure 10. Thermal resistance junction to ambient versus copper surface under tab (Epoxy printed circuit board, copper thickness: 35 μm)



2 Package Information

- Epoxy meets UL94, V0
- Cooling method: by conduction (C)
- Recommended torque value: 0.55 Nm
- Maximum torque value: 0.70 Nm

Figure 11. D²PAK dimensions

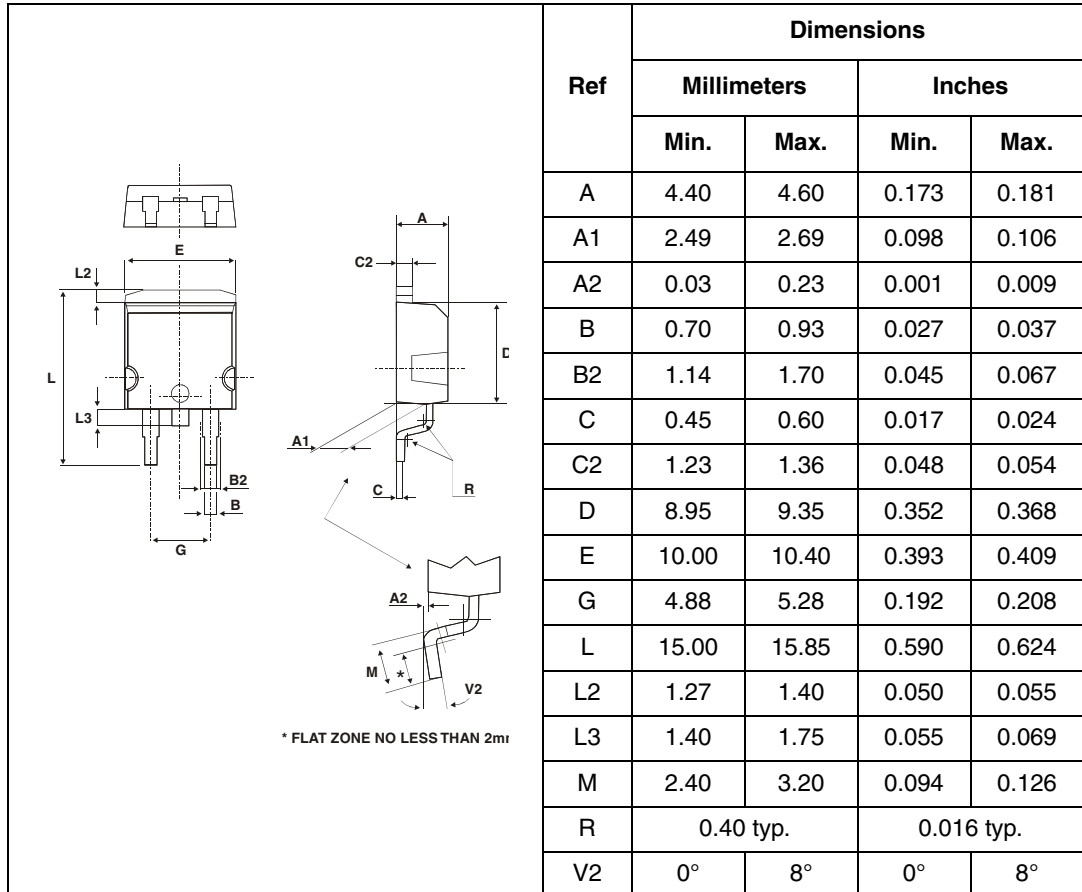


Figure 12. Footprint (dimensions in millimeters)

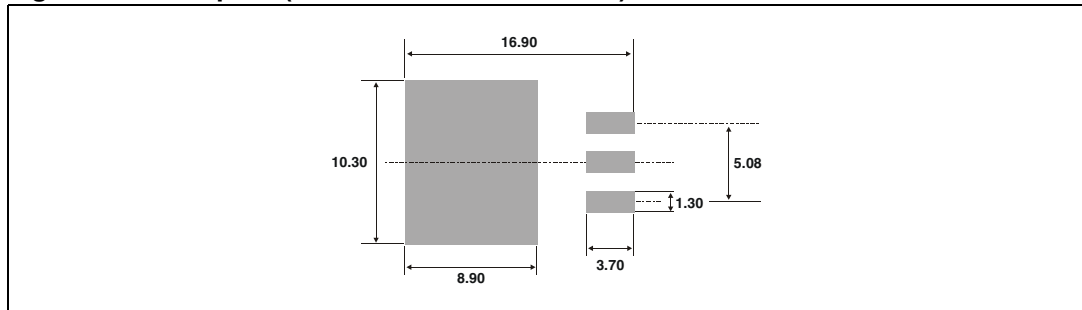


Figure 13. TO-220AB dimensions

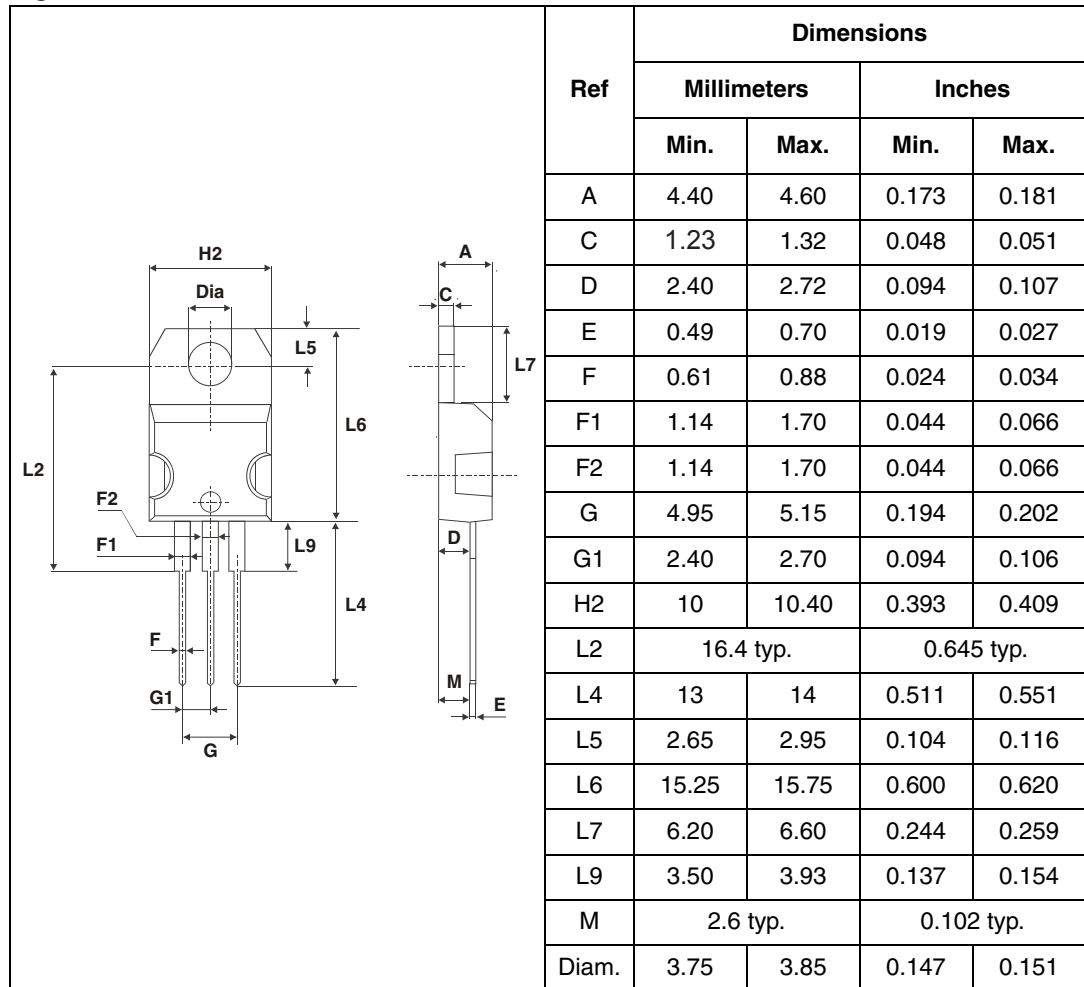
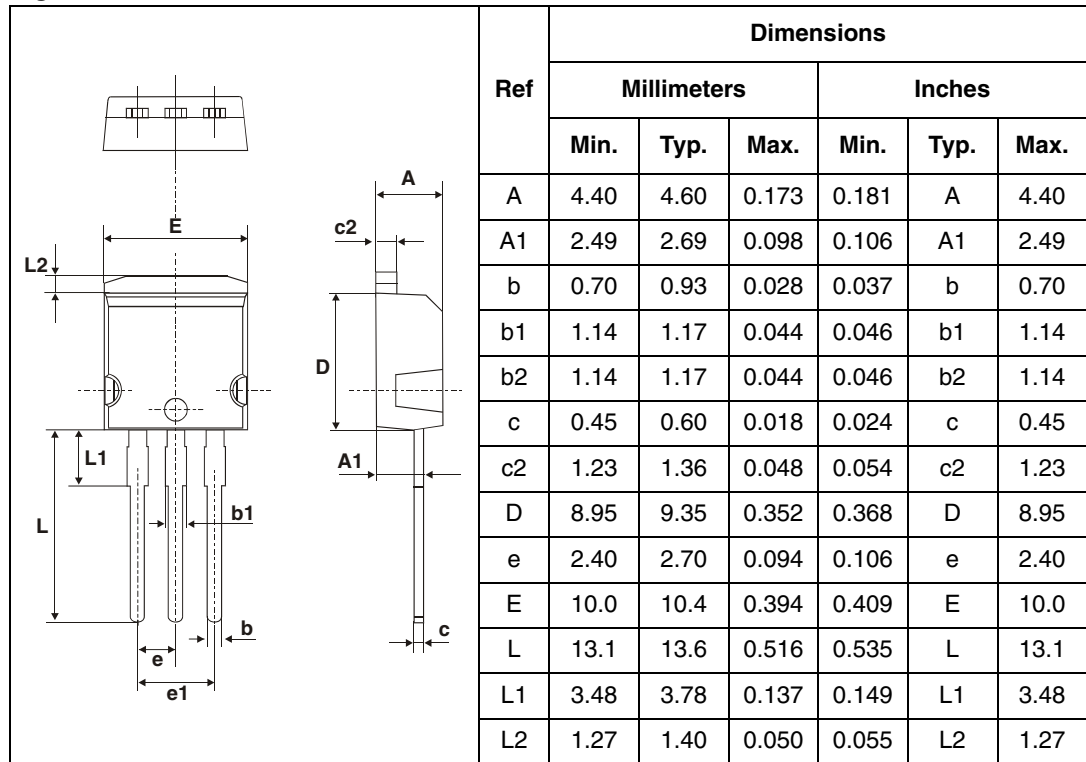


Figure 14. I²PAK dimensions



In order to meet environmental requirements, ST offers these devices in ECOPACK® packages. These packages have a lead-free second level interconnect. The category of second level interconnect is marked on the package and on the inner box label, in compliance with JEDEC Standard JESD97. The maximum ratings related to soldering conditions are also marked on the inner box label. ECOPACK is an ST trademark. ECOPACK specifications are available at: www.st.com.

3 Ordering Information

| Ordering type | Marking | Package | Weight | Base qty | Delivery mode |
|---------------|------------|--------------------|--------|----------|---------------|
| STPS1545CT | STPS1545CT | TO-220AB | 2.23 g | 50 | Tube |
| STPS1545CG | STPS1545CG | D ² PAK | 1.48 g | 50 | Tube |
| STPS1545CG-TR | STPS1545CG | D ² PAK | 1.48 g | 1000 | Tape & reel |
| STPS1545CR | STPS1545CR | I ² PAK | 1.49 g | 50 | Tube |

4 Revision history

| Date | Revision | Description of Changes |
|-------------|----------|--|
| Jul-2003 | 5F | Last release. |
| 21-Mar-2007 | 6 | Removed ISOWATT and TO-220FPAB packages. |

Please Read Carefully:

Information in this document is provided solely in connection with ST products. STMicroelectronics NV and its subsidiaries ("ST") reserve the right to make changes, corrections, modifications or improvements, to this document, and the products and services described herein at any time, without notice.

All ST products are sold pursuant to ST's terms and conditions of sale.

Purchasers are solely responsible for the choice, selection and use of the ST products and services described herein, and ST assumes no liability whatsoever relating to the choice, selection or use of the ST products and services described herein.

No license, express or implied, by estoppel or otherwise, to any intellectual property rights is granted under this document. If any part of this document refers to any third party products or services it shall not be deemed a license grant by ST for the use of such third party products or services, or any intellectual property contained therein or considered as a warranty covering the use in any manner whatsoever of such third party products or services or any intellectual property contained therein.

UNLESS OTHERWISE SET FORTH IN ST'S TERMS AND CONDITIONS OF SALE ST DISCLAIMS ANY EXPRESS OR IMPLIED WARRANTY WITH RESPECT TO THE USE AND/OR SALE OF ST PRODUCTS INCLUDING WITHOUT LIMITATION IMPLIED WARRANTIES OF MERCHANTABILITY, FITNESS FOR A PARTICULAR PURPOSE (AND THEIR EQUIVALENTS UNDER THE LAWS OF ANY JURISDICTION), OR INFRINGEMENT OF ANY PATENT, COPYRIGHT OR OTHER INTELLECTUAL PROPERTY RIGHT.

UNLESS EXPRESSLY APPROVED IN WRITING BY AN AUTHORIZED ST REPRESENTATIVE, ST PRODUCTS ARE NOT RECOMMENDED, AUTHORIZED OR WARRANTED FOR USE IN MILITARY, AIR CRAFT, SPACE, LIFE SAVING, OR LIFE SUSTAINING APPLICATIONS, NOR IN PRODUCTS OR SYSTEMS WHERE FAILURE OR MALFUNCTION MAY RESULT IN PERSONAL INJURY, DEATH, OR SEVERE PROPERTY OR ENVIRONMENTAL DAMAGE. ST PRODUCTS WHICH ARE NOT SPECIFIED AS "AUTOMOTIVE GRADE" MAY ONLY BE USED IN AUTOMOTIVE APPLICATIONS AT USER'S OWN RISK.

Resale of ST products with provisions different from the statements and/or technical features set forth in this document shall immediately void any warranty granted by ST for the ST product or service described herein and shall not create or extend in any manner whatsoever, any liability of ST.

ST and the ST logo are trademarks or registered trademarks of ST in various countries.

Information in this document supersedes and replaces all information previously supplied.

The ST logo is a registered trademark of STMicroelectronics. All other names are the property of their respective owners.

© 2007 STMicroelectronics - All rights reserved

STMicroelectronics group of companies

Australia - Belgium - Brazil - Canada - China - Czech Republic - Finland - France - Germany - Hong Kong - India - Israel - Italy - Japan - Malaysia - Malta - Morocco - Singapore - Spain - Sweden - Switzerland - United Kingdom - United States of America

www.st.com